

# DV-9521

## 4K-HDMI/1080p-DVI-VGA USB KVM Extender over IP with Video-Wall

The DV-9521 is a perfect solution for 4K HDMI, 1080p DVI/VGA with USB/IR/RS232 over Gigabit IP Ethernet. The system includes DV-9521T Transmitter (TX) and DV-9521R Receiver (RX). The TX connects to PC or Blu-ray player for the HDMI/DVI/VGA source, the RX connects to display, speaker, microphone, and USB devices. The solution is based on the standard IP technology, the TX converts input signals (HDMI/DVI/VGA, Audio, USB, ...) to IP packets and Multicast/Unicast to Gigabit Ethernet switch. On the other end of RXs, receiving IP packets from Ethernet switch then converts back to HDMI/DVI/VGA, Audio, USB... and send to display, speaker, USB devices. The Encoder/Decoder engine built with Scaling function, multiple RXs are flexible to be configured as Video-Wall displays. Perfect for AV Broadcasting, KVM Matrix Control, Video-Wall applications like informational displays, entertainment, boardrooms, courtrooms, medical, military, and education digital signage.



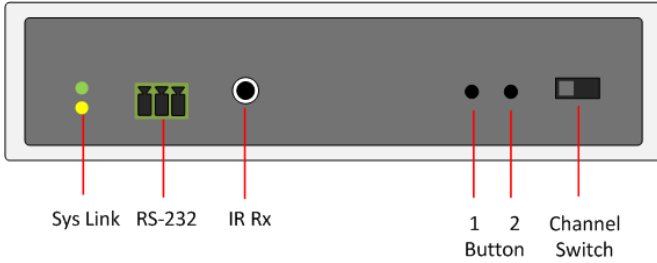
### Features

- ❖ Support HDMI 4K2K@30Hz, DVI/VGA 1080p or 1920x1200@60Hz resolution.
- ❖ All TX/RX are based on Gigabit Ethernet Switch, easy cabling, easy installation, easily maintain.
- ❖ Support one-to-one (Unicast), one-to-many (Multicast) for Audio/Video real time broadcasting.
- ❖ Support many-to-many Group Broadcasting if the Ethernet switch enabled the IGMP.
- ❖ Support USB for KVM PC control, you can attach keyboard, mouse, touch screen, storage at the Receiver site to control the PC at the Transmitter site.
- ❖ The 4K2K Encoder/Decoder engine built with Scaling function, multiple RXs are flexible to be configured as Video-Wall displays with 180, 270° Rotation.
- ❖ Support 3.5mm stereo audio, you can use speaker/microphone at the Receiver.
- ❖ Support IR option, you can use the IR remote control at Receiver site to control the set-top box at the Transmitter site.
- ❖ Support RS-232 bridge option, you can send RS-232 data in between PC and screens.
- ❖ Pure hardware design, plug-and-play, no any additional software installation required.
- ❖ Built-in HTTP for the IP address, device name, Multi/Unicast, Baud Rate, ... settings.
- ❖ Provide Connection Manager Software for Transmitters/Receivers Connection Management.
- ❖ Provide Video-Wall Manager Software for Video-Wall Configuration and Operation Management.
- ❖ FCC, CE, RoHS compliant.

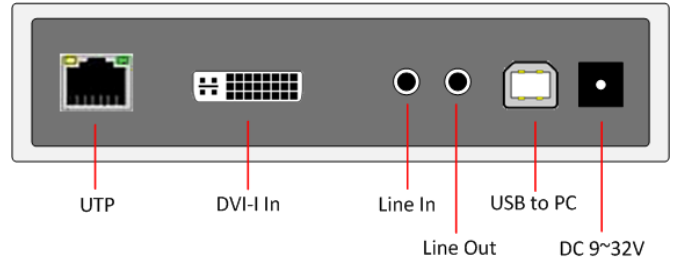
# Front, Rear View

## DV-9521T

Front View

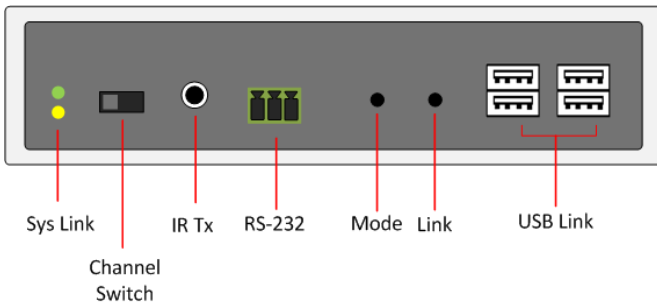


Rear View

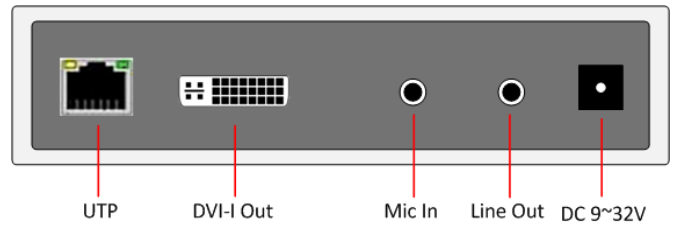


## DV-9521R

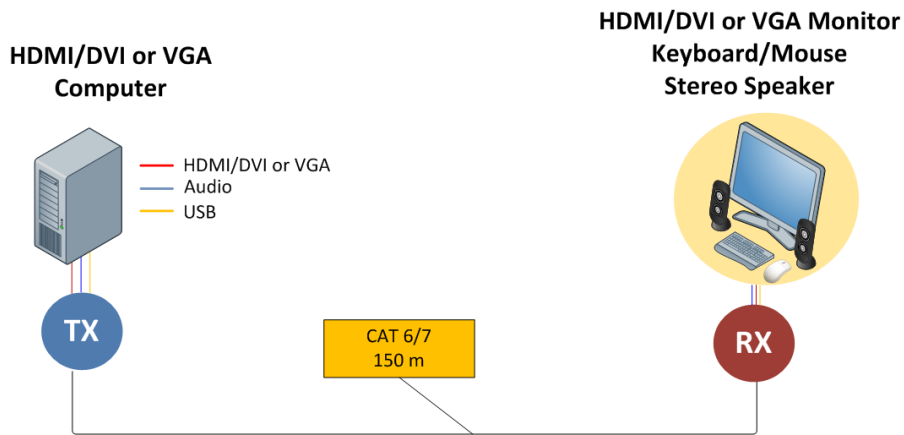
Front View



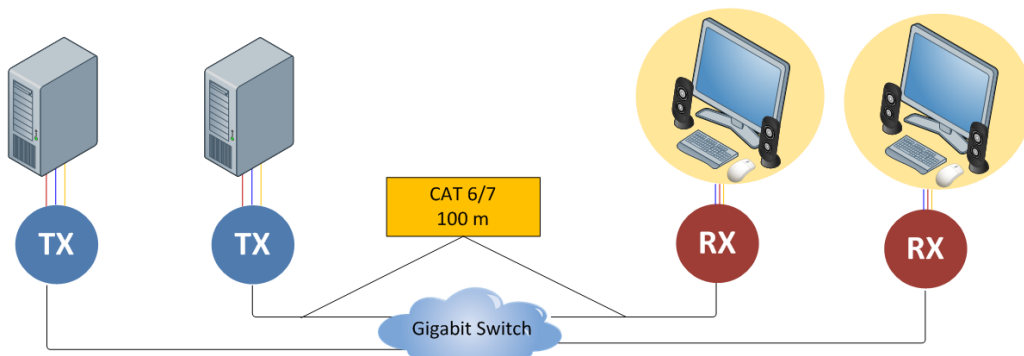
Rear View



### Direct Connection



### Many to Many



## Specification

Model No.		Transmitter	Receiver
		DV-9521T	DV-9521R
Connectors	DVI-I Input	1	N/A
	DVI-I Output	N/A	1
	Power	DC 9~32V, 15W	DC 9~32V, 20W
	Network Port	1 x RJ45 Gigabit	
	USB Upstream (to PC)	1	N/A
	USB to Devices	N/A	2 x USB 2.0 + 2 x USB 1.1
	Mounting Holes	Yes	
	3.5mm Line-In	1	N/A
	3.5mm Mic-In	N/A	1
	3.5mm Line-Out	1	
	IR remote control (option)	1 x IR Blaster	1 x IR Receiver
	RS-232	Yes	
Resolution		DVI/VGA:1080p or 1920x1200@60Hz HDMI: 4K2K (3840x2160@30Hz)	
Inter-connect Cable		CAT 6/7	
Environment	Operation Temperature	0~50°C	
	Storage Temperature	-20~ 85°C	
	Humidity	0~80% Non-condensing	
Physical Properties	Material	Metal (Black)	
	Weight	453 g	458 g
	Dimension	150x110x28mm	150x110x28 mm

# Diagram

