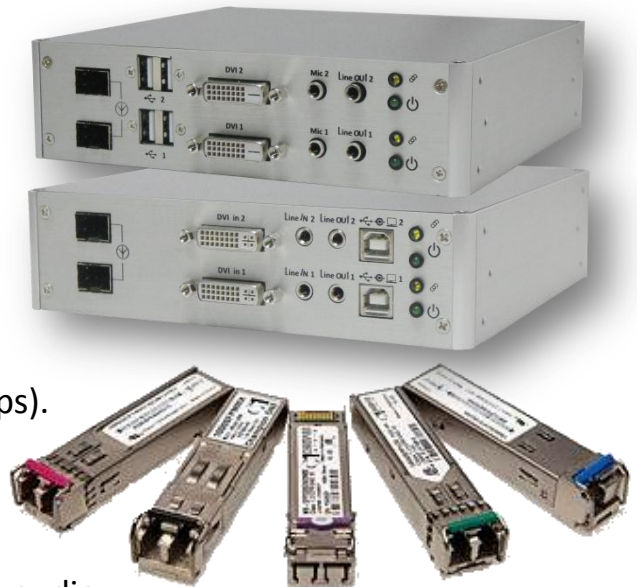


DV-95F22

Dual Head 4K HDMI/DVI USB KVM Extender over SFP Optical Fiber

The DV-95F22 is a perfect solution for Dual head 4K HDMI/DVI + Audio USB KVM Extender over SFP Optical Module. The system includes DV-95F22T Dual head Transmitter and DV-95F22R Dual head Receiver. The Transmitter connects to PC's 2 HDMI/DVI, Audio, and USB; the Receiver connects to 2 HDMI/DVI displays, speaker, microphone, and USB devices. The solution is based on the standard of LC or SC, SM or MM, Single core SFP Optic module (1.25Gbps). The Transmitter converts input signals (video, audio, USB) and directly sends to the Receiver. On the other end of Receiver, receiving directly from the Transmitter then converts back to video, audio, USB... and sends to display, speaker, USB devices. It is a perfect solution for the Central Control Room Dual Head HDMI/DVI KVM applications.

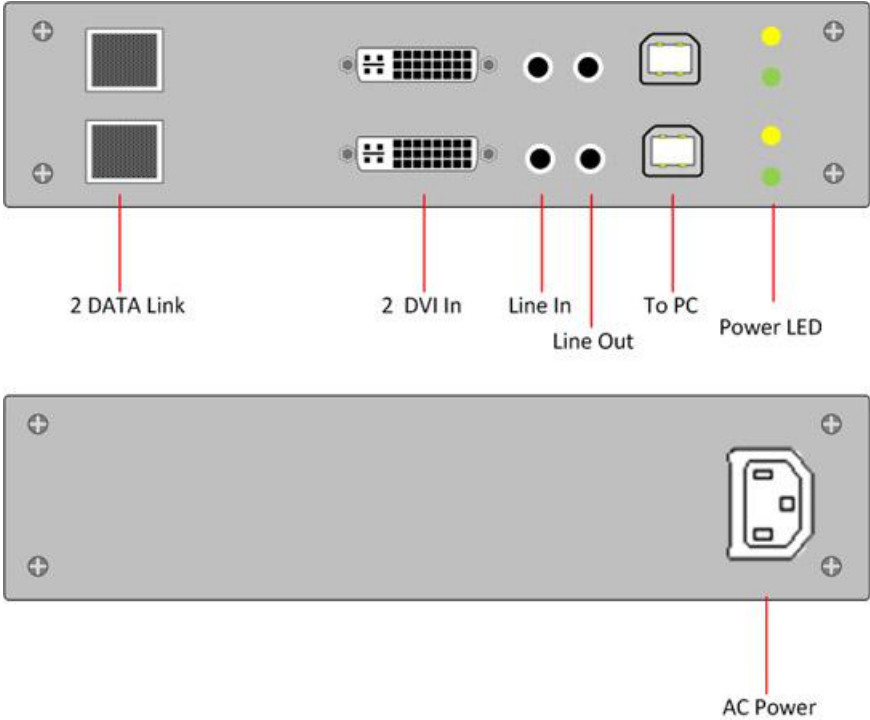


Features

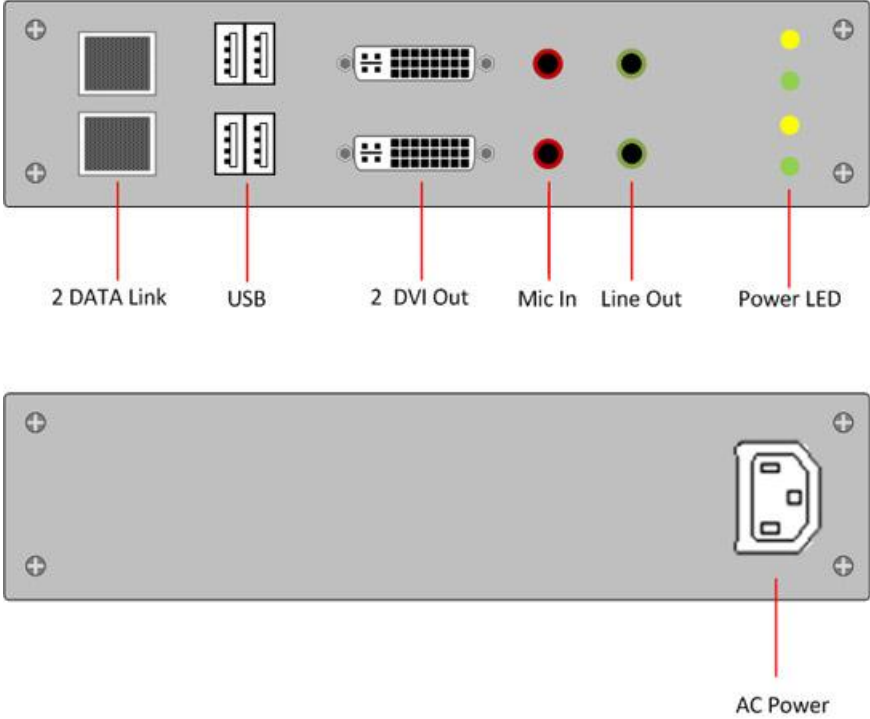
- ❖ Support Dual head 4K@30Hz HDMI/DVI 1080p, 1920x1200@60Hz resolution.
- ❖ Using standard LC/SC, SM/MM single core SFP Optic module (1.25Gbps).
- ❖ Support generic USB 2.0 extension for keyboard, mouse, touch screen, storage.
- ❖ Support both HDMI and 3.5mm stereo audio.
- ❖ The Receiver supports 3.5mm microphone.
- ❖ Pure hardware design, plug-and-play, no any software installation is required.
- ❖ Provide Web GUI for configuring the unit.
- ❖ FCC, CE, RoHS.

Front and Rear View

DV-95F22T (Transmitter)



DV-95F22R (Receiver)



Specification

Model No.		DV-95F22T Transmitter	DV-95F22R Receiver
Connectors	HDMI/DVI-D Input	2	N/A
	HDMI/DVI-D Output	N/A	2
	USB	2 x USB-B to PC	4 x USB-A
	Audio	2 x Line-In, 2 x Line-Out	2 x MIC-In, 2x Line-Out
	Power	AC 100 ~ 240V	
	System Port	2 x LC or SC, SM or MM, single core SFP Module	
Resolution		DVI: 1080p/1920X1200@60Hz HDMI: 4K2K (3840x2160@30Hz)	
Inter-connect Cable		Single Mode (3KM) or Multi Mode (550M), single core Optical Fiber Cable	
Environment	Operation Temperature	0~70°C	
	Storage Temperature	-20~ 85°C	
	Humidity	0~80% Non-condensing	
Physical Properties	Material	Metal (Black)	
	Weight	1100 g	1100 g
	Dimension	170x150x50 mm	170x150x50 mm

Diagram

