

DV-95F25

HDMI/DVI/VGA USB KVM Extender *over IP with Video-Wall*

The DV-95F25 is a perfect solution for HDMI/DVI/VGA with USB/IR/RS232 over IP based SFP Optical Module. The system includes DV-95F25T Transmitter (TX) and DV-95F25R Receiver (RX). The TX connects to PC or Blu-ray player for the HDMI/DVI/VGA source, the RX connects to display, speaker, microphone, and USB devices. The solution is based on the standard IP technology, the TX converts input signals (video, Audio, USB, ...) to IP packets and Multicast/Unicast to Gigabit Ethernet switch. On the other end of RXs, receiving IP packets from Ethernet switch then converts back to HDMI/DVI/VGA, Audio, USB... and send to display, speaker, USB devices. The Encoder/Decoder engine built with Scaler function, multiple RXs are flexible to be configured as Video-Wall displays. Perfect for AV Broadcasting, KVM Matrix Control, Video-Wall applications like informational displays, entertainment, boardrooms, courtrooms, medical, military, and education digital signage.



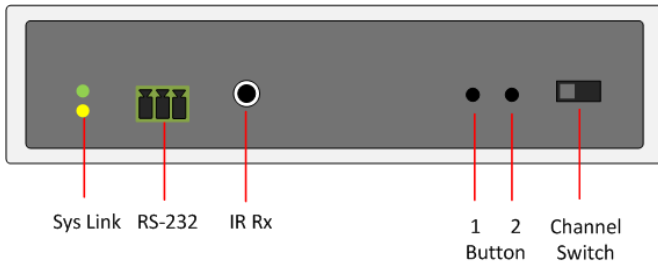
Features

- ❖ Support 1080p or 1920x1200 HDMI/DVI/VGA resolution.
- ❖ Support standard LC/SC connector, SM/MM single core SFP module (1.25Gbps up).
- ❖ Support one-to-one (Unicast), one-to-many (Multicast) broadcasting.
- ❖ Support many-to-many Group Broadcasting if the Ethernet switch enabled the IGMP.
- ❖ Support USB for PC remote control.
- ❖ The Encoder/Decoder engine built with Scaler function, multiple RXs are flexible to be configured as Video-Wall displays with 180, 270° Rotation.
- ❖ Support both HDMI and 3.5mm stereo audio.
- ❖ The Receiver supports 3.5mm microphone.
- ❖ Support IR and RS-232 bridge option.
- ❖ Pure hardware design, plug-and-play, no any software installation required.
- ❖ Built-in HTTP for the IP address, device name, Multi/Unicast, Baud Rate, ... settings.
- ❖ Provide Connection Manager Software for Transmitters/Receivers Connection Management.
- ❖ Provide Video-Wall Manager Software for Video-Wall Configuration and Operation Management.
- ❖ FCC, CE, RoHS compliant.

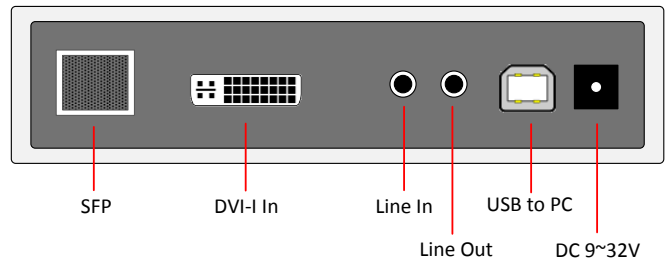
Front, Rear View

DV-95F25T

Front View

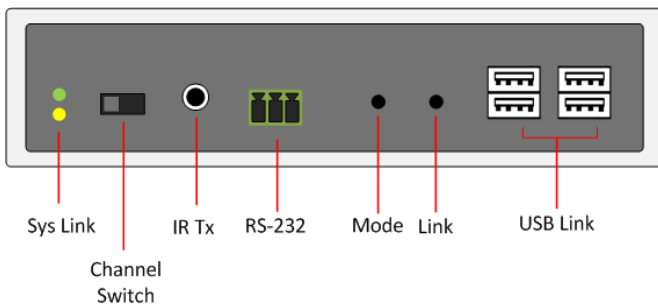


Rear View

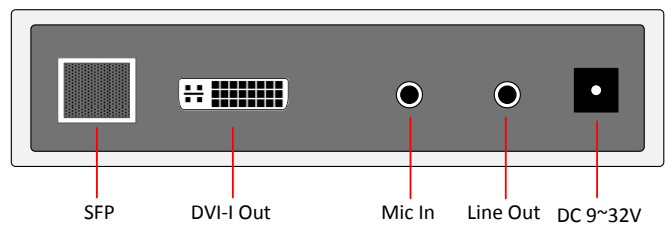


DV-95F25R

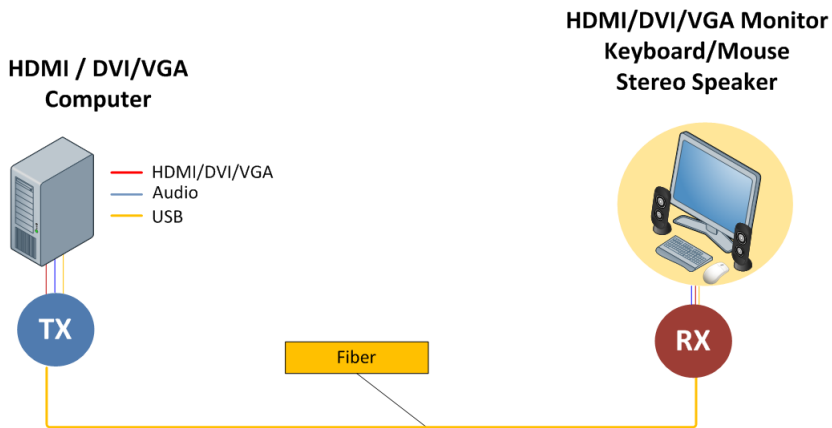
Front View



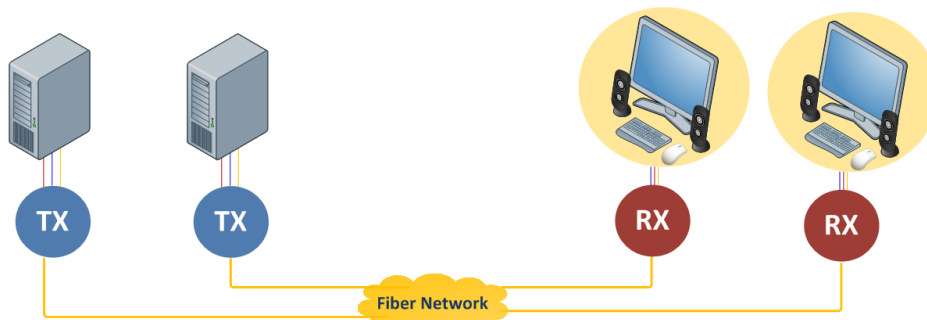
Rear View



Direct Connection



Many to Many



Specification

| Model No. | | Transmitters | Receiver |
|---------------------|---|---|-------------------------------|
| | | DV-95F25T | DV-95F25R |
| Connectors | DVI-I connector for HDMI/DVI-D/VGA input | 1 | N/A |
| | DVI-I connector for HDMI/DVI-D/VGA output | N/A | 1 |
| | Power | DC 9~32V, 15W | DC 9~32V, 20W |
| | Network Port | 1 x SFP Module with LC/SC connector, single core of SM/MM cable | |
| | USB Upstream (to PC) | 1 x USB-B | N/A |
| | USB to Devices | N/A | 2 x USB-A 2.0 + 2 x USB-A 1.1 |
| | Mounting Holes | Yes | |
| | 3.5mm Line-In | 1 | N/A |
| | 3.5mm Mic-In | N/A | 1 |
| | 3.5mm Line-Out | 1 | |
| | IR remote control (option) | 1 x IR Blaster | 1 x IR Receiver |
| | RS-232 | Yes | |
| Resolution | | 1080p or PC 1920 X 1200 @ 60Hz | |
| Inter-connect Cable | | Single Mode (3 KM), or Multi Mode (550 M) Optical Fiber | |
| Environment | Operation Temperature | 0~50°C | |
| | Storage Temperature | -20~ 85°C | |
| | Humidity | 0~80% Non-condensing | |
| Physical Properties | Material | Metal (Black) | |
| | Weight | 453 g | 458 g |
| | Dimension | 150x110x28mm | 150x110x28 mm |

Diagram

