

Single PC, Single Access KVM Extender

K30360US-30

(USB & PS2 KB/Mouse)

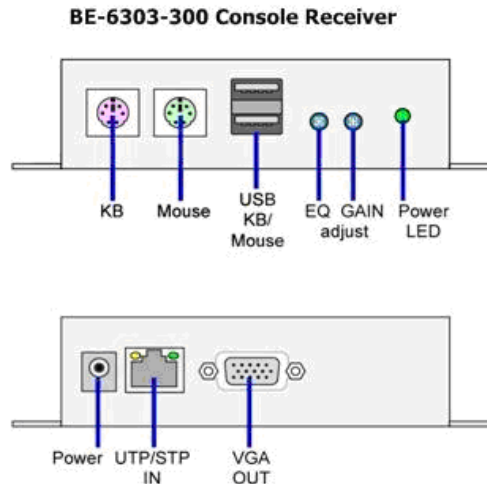
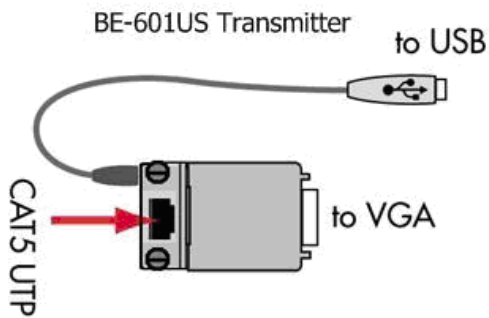


The Single PC, Single Access KVM Extender Kit is perfect for any type of installation where the console needs to be in a conveniently accessible location, but the computer system to reside in a long distance place away from dust, and harsh environmental influences. The K30360US-30 CAT 5 KVM Extender Kit, which effectively extends PC KVM (USB Keyboard, Video, USB Mouse) control to the Console Receiver.

Features

- * Cat 5 or higher cable to connect the Transmitter and Receiver Units - up to 300 meters (1000 ft) apart
- * Single Console operation - control your PC from Console Receiver USB or PS2 keyboard, Mouse and monitor.
- * High resolution video -up to 1600 x 1200 @ 60 Hz
- * Supports VGA, SVGA, and Multisync monitors - Console Receiver monitor supports DDC2B
- * Console Receiver has video Gain and EQ adjustments for optimum image.
- * The K30360US-30 adds RGB skew adjustment, for 300M (1000 ft) extra long cable runs.
- * Pure hardware, Plug n Play design.

Front & Back View

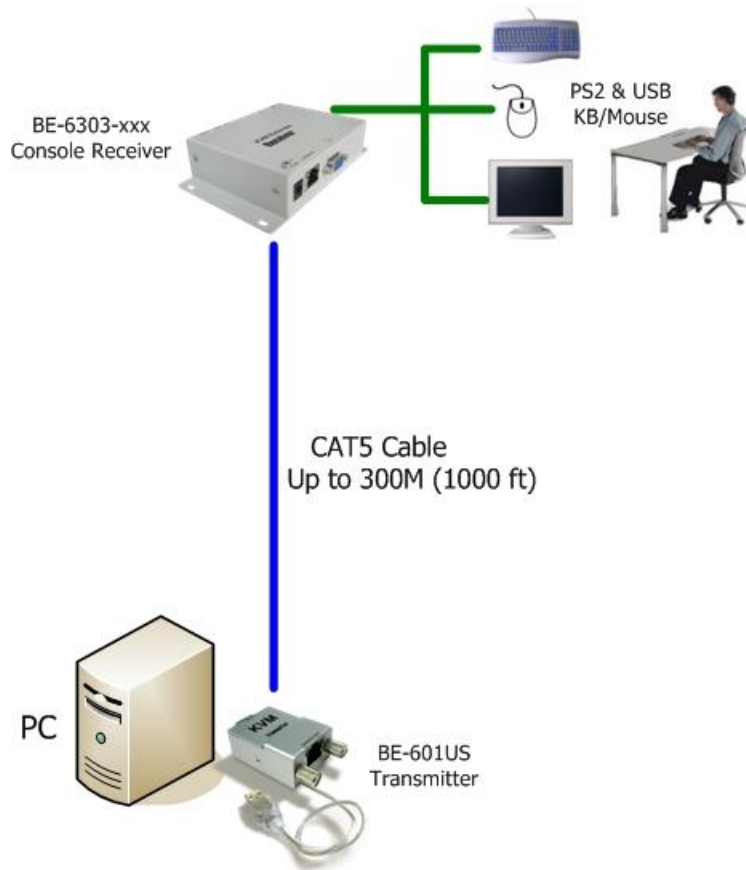


Specifications

Model		K30360-30			
Unit Model		BE-601US Transmitter	BE-6303-300 Receiver		
Connectors	Console Ports	Keyboard	N/A	1 x 6-pin Mini-DIN Female (Purple) 1 x USB Type A	
		Video	N/A	1 x HDD-15 Female (Blue)	
		Mouse	N/A	1 x 6-pin Mini-DIN Female (Green) 1 x USB Type A	
	KVM Ports		1 x HDD-15 Female	N/A	
			1 x USB	N/A	
	Power		-	1 x DC Jack	
	Unit to Unit		1 x RJ45 Female		
	Video Gain		N/A	1 x Mini Pot	
Video EQ		N/A	1 x Mini Pot		
LEDs	Power	1 (Green)			
Emulation	Keyboard / Mouse	USB	PS/2 & USB		
Video		1600 x 1200 @ 60Hz ,DDC2B			
Distance		300M (1000 ft)			
Video RGB Skew Adjust		YES			
Power Consumption		DC 5.0V; 1.2A			
Environment	Operating Temp.	0~50°C			
	Storage Temp.	-20~60°C			

	Humidity	0~80% RH	
Physical Properties	Housing	Metal	
	Weight	40 g	380 g
	Dimensions	4.5 x 3.3 x 1.9 cm	14 x 9.3 x 3.2 cm

Diagram



Ordering Information

K30360US-30	Single PC, Single access KVM Extender Kit, includes 1 x BE-601PS (USB Transmitter) and 1 x BE-6303-300 (PS2 & USB Receiver, 300m)
-------------	---