

UB-102 USB Extender

The UB-102 is an USB 2.0 Extender kit over CAT6 cable. The kit contains the local unit which is a 1-port Transmitter, and the remote unit which can be 1/2/4 port Receiver. The Transmitter and Receiver units are interconnected with CAT6 cable.

Features

- ❖ Compliant with USB 1.1 and 2.0.
- ❖ Support self-powered and bus-powered USB peripheral devices (security cameras, printer, scanner, keyboard, etc.).
- ❖ Compatible with PC, SUN and MAC computers.
- ❖ Extend to 80 meters for USB 1.1 device.
- ❖ Extend to 80 meters for USB2.0 devices when self-powered.
- ❖ Extend to 50 meters for USB 2.0 devices with Transmitter Power over Cable.
- ❖ Supports data transfer rates of 1.5Mb/s, 12Mb/s, 480Mb/s
- ❖ Receiver unit is built in 4 or 2 or 1 port hub to connect 4 or 2 or 1 USB 2.0 devices.
- ❖ Supports Windows 7/10 and LINUX operating systems.
- ❖ Plug-n-Play, no software driver is required

UB-102 Transmitter



UB-102T



UB-102TP

UB-102 Receiver



UB-102R



UB-202R

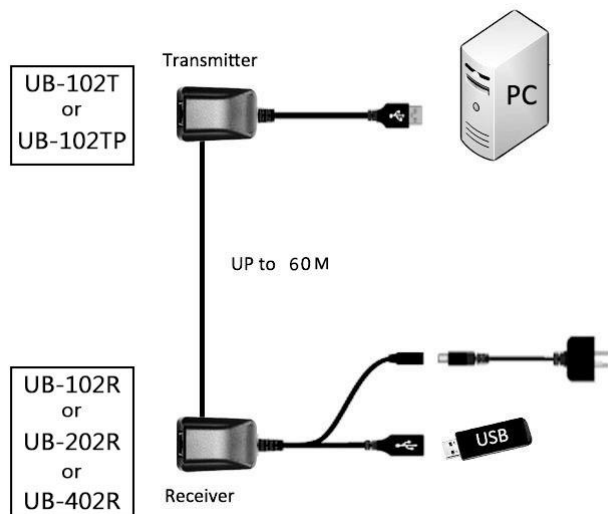


UB-402R

Specification

UB-102			
Transmitter	UB-102T (Plastic Case)		UB-102TP (Metal Case)
Transmitter Power	Powered by USB		Powered by External DC 24V
Receiver	UB-102R (1-port, Plastic)	UB-202R (2-port, Metal)	UB-402R (4-port, Metal)
Receiver Power	Self-power (5V) Or Powered by Transmitter	Powered by Transmitter	
Cable	CAT 5e/6/7 cable with TIA/EIA-568B terminated		
Distance (MAX)	USB 1.1	80 m/260 feet	
	USB 2.0	60 m/194 feet	
Regulatory Approval	FCC, CE, RoHS		

Diagram



Ordering Information

UB-102T	Local unit (Transmitter)
UB-102R	Remote unit (1-port Receiver)
UB-102TP	Local unit (Transmitter with 24V DC Power supply)
UB-202R	Remote unit (2-port Receiver)
UB-402R	Remote unit (4-port Receiver)