

## IP based Dual 4K HDMI USB KVM Extender *over* Optical Fiber

The AV-95212 is a perfect solution for Dual head 4K HDMI + USB KVM Extender over SFP Optical Fiber. The system includes AV-95212T Dual head Transmitter and AV-95212R Dual head Receiver. The PC dual HDMI, Audio, USB outputs can be connected to Transmitter; the Receiver connects to 2 HDMI displays, speaker, microphone, and USB devices. The solution is based on the standard IP based LC or SC, SM or MM SFP



Optic module (1.25Gbps).

The Transmitter converts input signals (video, audio, USB) and sends to the Receiver. On the other end of Receiver, receiving from the



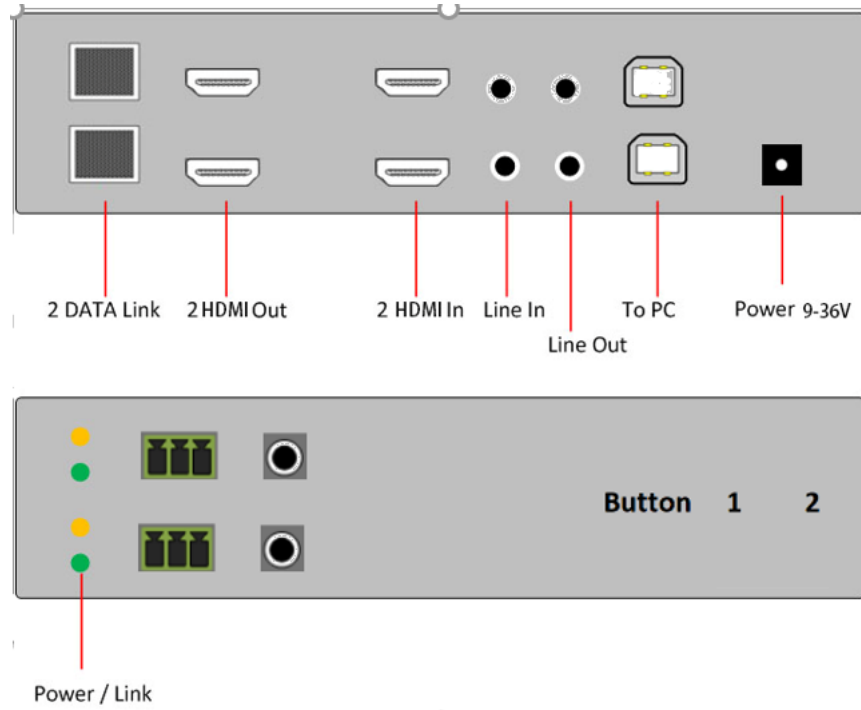
Transmitter then converts back to video, audio, USB... and sends to display, speaker, USB devices. It is a perfect solution for the Central Control Room Dual Head HDMI/DVI KVM applications.

### Features

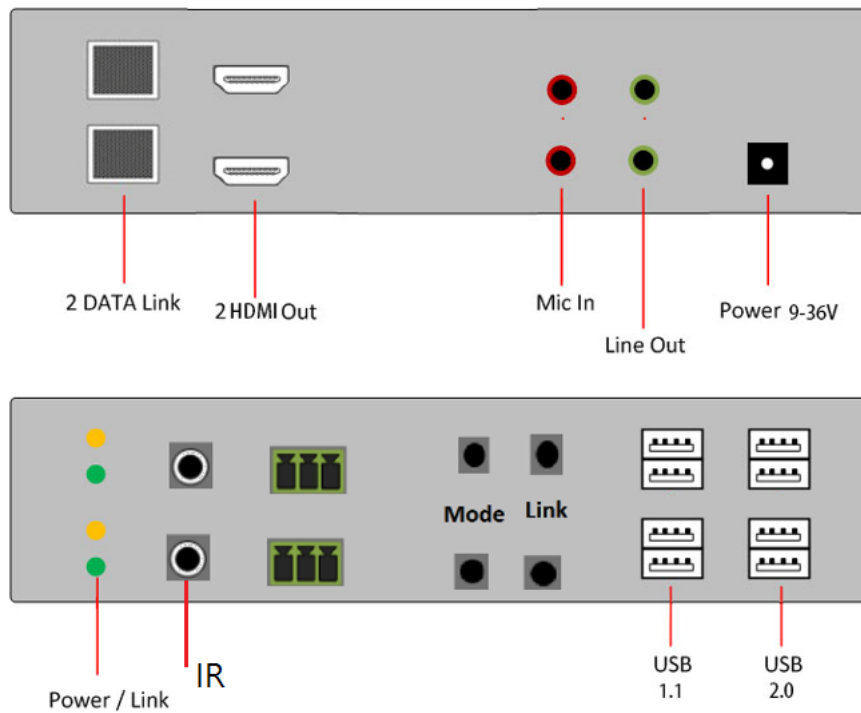
- ❖ Support Single PC with Dual HDMI, 3.5mm Audio, USB.
- ❖ Support dual HDMI 4K@30Hz, or 1920x1200@60Hz resolution.
- ❖ Using standard LC/SC, SM/MM SFP Optic module (1.25Gbps).
- ❖ Support Web GUI for the configuration.
- ❖ Support OSD Menu for Transmitter connection, Push Video-Wall.
- ❖ Support Matrix Connection, Video-Wall Management Software.
- ❖ Support Virtual USB HUB in Exclusive or Sharing mode.
- ❖ Support USB 2.0 extension for keyboard, mouse, touch, storage.
- ❖ Support both HDMI and 3.5mm stereo audio and microphone
- ❖ Pure hardware design, plug-and-play, no any software installation is required.
- ❖ FCC, CE, RoHS.

## Front and Rear View

### AV-95212T (Transmitter)



### AV-95212R (Receiver)



Model No.		AV-95212T Transmitter	AV-95212R Receiver
Connectors	HDMI Input	2	N/A
	HDMI Output	2 (local loop-out)	2
	USB	2 x USB-B to PC	8 x USB-A
	Audio	2 x Line-In, 2 x Line-Out	2 x MIC-In, 2 x Line-Out
	Power	DC 12V 5A	
	System Port	2 x LC or SC, SM or MM, SFP Module	
Resolution		DVI: 1080p/1920X1200@60Hz HDMI: 4K2K (3840x2160@30Hz)	
Inter-connect Cable		Single Mode (20KM) or Multi Mode (2KM) Optical Fiber	
Environment	Operation Temperature	0~70°C	
	Storage Temperature	-20~ 85°C	
	Humidity	0~80% Non-condensing	
Physical Properties	Material	Metal (Black)	
	Weight	1100 g	1100 g
	Dimension	170x150x50 mm	170x150x50 mm

# Diagram

