

AV-98F20

4K60 HD over SFP Fiber

The AV-98F20 is a fully integrated HD with RS232 and IR Extender over 2.5G SFP Module that can support 4K60Hz in digital video lossless compression and delay-free transmission.



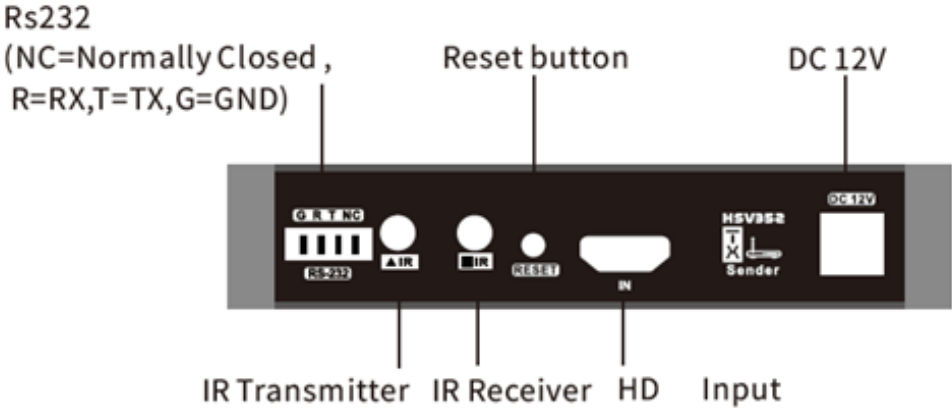
The product works with any HD 2.0 video/audio source in resolution up to 4K UHD (3840 × 2160 @ 60Hz) and 4K DCI (4096 x 2160 @ 60Hz), as well as EDID/Hot Plug transparent. The IR and RS-232 extension can be used for the TV, screen, Set-top box control.

The product is designed to work in the industrial environment of operating temperature -5 to 75°C. The standard 2.5G SFP module for SM/MM fiber optic cable can be used, preserving signal integrity and providing excellent protection from electromagnetic interference (EMI). Compared to similar copper-based solutions, optical signal transmission provides inherent galvanic isolation and excellent immunity to electromagnetic interference. The units also feature metal enclosures, providing further protection against radiated noise.

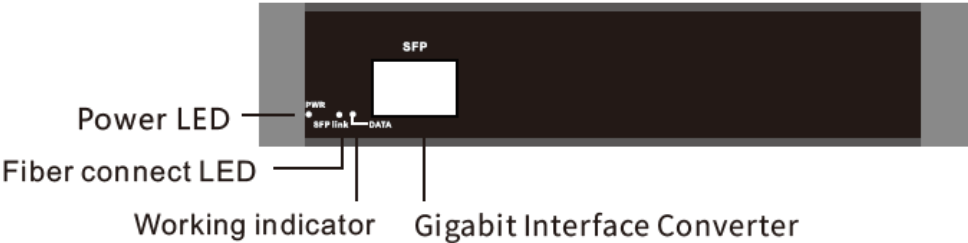
Features

- ❖ Extends 4K60Hz HD with RS-232 and IR over a single strand fiber optic cable.
- ❖ Support 4K UHD (3840 x 2160 @ 60Hz) and 4K DCI (4096 x 2160 @ 60Hz).
- ❖ Fully HD 2.0/1.4 compliant, 12-bit Deep Color, LPCM 7.1 audio, Dolby® True HD, and DTS-HD Master Audio™.
- ❖ Support fully transparent DDC/EDID, CEC and Hot-Plug signal.
- ❖ Support Full duplex RS-232 up to 115200 baud.
- ❖ Plug-and-play, no any additional software installation is required.
- ❖ FCC, CE, RoHS.

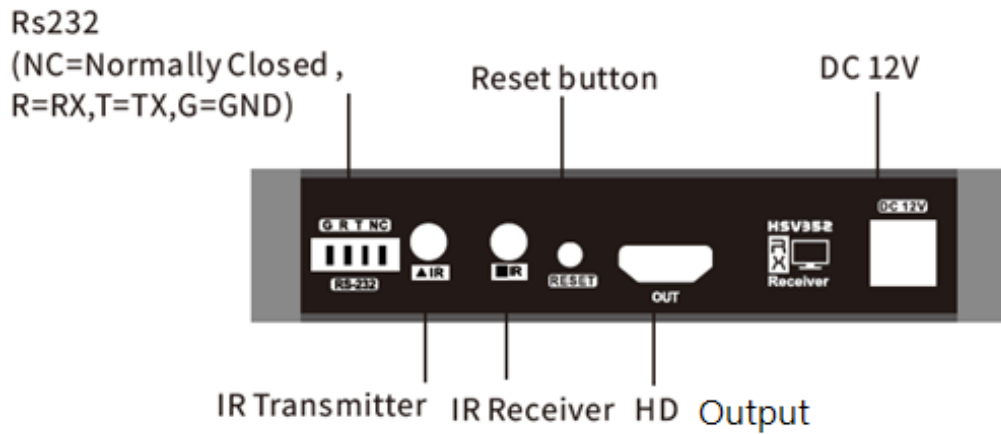
AV-98F20T Front



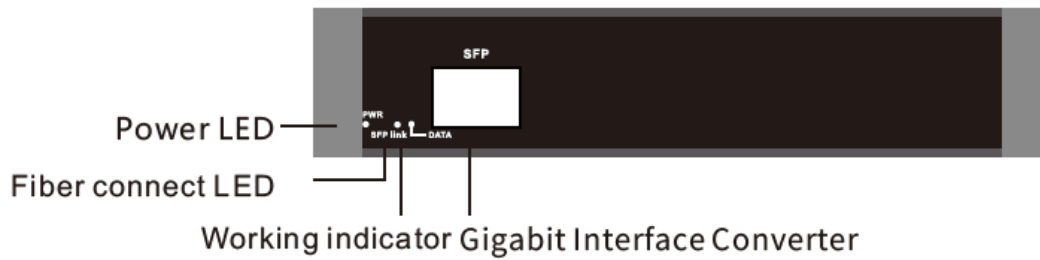
AV-98F20T Rear



AV-98F20R Front



AV-98F20R Rear



Specification

Model No.		AV-98F20T	AV-98F20R
HD Input		1	N/A
HD Output		N/A	1
RS-232		1	1
IR In/Out		1	1
Power		DC 5 ~ 12V 1A	
Resolution		Up to 3840x2160@60Hz or 4096x2160@60Hz	
Inter-connect Cable		SM/MM Optical Fiber Cable (any standard 1.5G up SFP)	
Tx/Rx Distance		Depending on the SFP module (Factory 2.5G BIDI SFP 20km)	
Environment	Operating Temp.	-5 to 75°C	
	Storage Temp.	-40 to 100°C	
	Humidity	5 ~ 90% RH Non-condensing	
Physical Properties	Material	Metal	
	Dimension	125(L) x 83(W) x 25(H) mm	

Diagram

