

# DV-202

## Computer Lab System

The DV-202 is a CAT6 Extender system designed for the Computer Lab application. With the Re-clock technology, it can reach 5 levels of Daisy-Chain in 30 meters between each level connection.



The DV-818U Teacher box comes with 2 inputs for 2 sources selection, 2 outputs for the monitor/projector displays.

The DV-202S Student box is designed with 2 students to share one box. It comes with A-B PC inputs, and A-B Monitor outputs. This makes installation simple and easier.

The DV-818U provides One-Touch-Control-Port and USB-Control-Port for the Teacher to send his/her display to all of Students by manually press Tap-202 One-Touch Button or through the Teacher Control software.

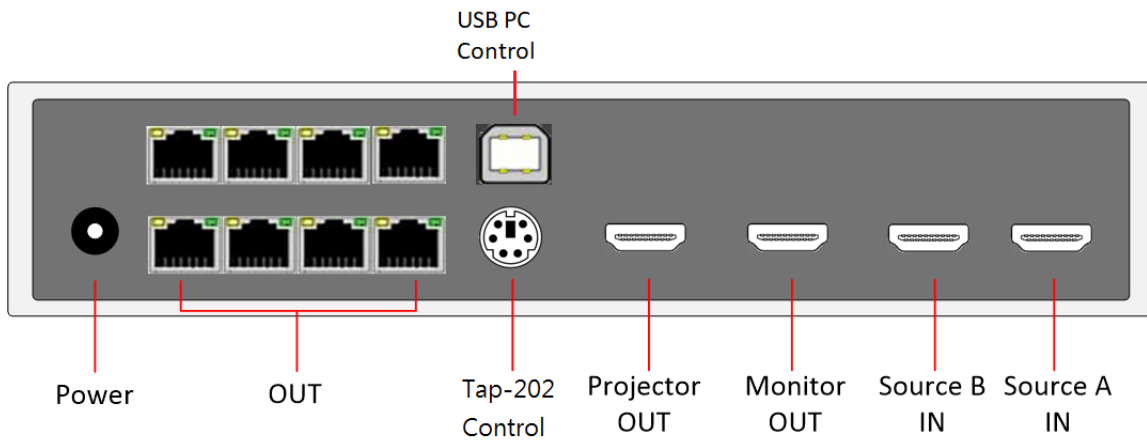
The DV-202 is pure hardware solution with Plug-and-Play, there is no any software or driver installation required.

### Feature

1. HD over CAT6 Extender with Equalizer and Re-Clock technology, razor sharp video, easy installation.
2. Broadcast Teacher PC to all students by One-Touch button.
3. Provide USB Upstream port for Teacher Control Software.
4. Pure hardware design, no any software driver installation is required.
5. Compatible with HD 1.3/DVI 1.1.
6. Support Full HD 1920x1080@30m or PC 1920x1200@30m.
7. 8-Port HUB, each port supports Daisy-Chain to 5 levels, each level 30 meters.
8. Teacher box built with 2 x HD inputs for dual input sources.
9. Teacher box built with 2 x HD outputs for monitor and projector.
10. Student box built for 2 x PC and monitor.
11. One-Touch for Start/Stop Teacher Broadcasting.
12. Teacher and Student box built with LED indicators for status display.
13. Student box built with magnet and mounting hole, easy installation.

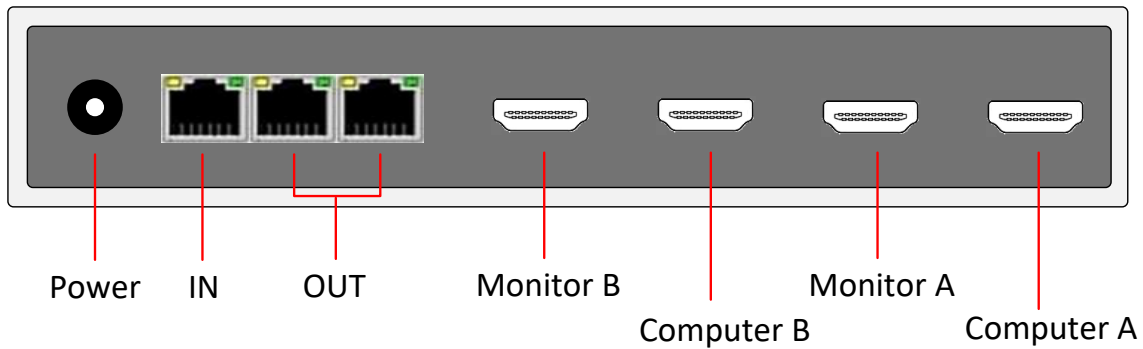
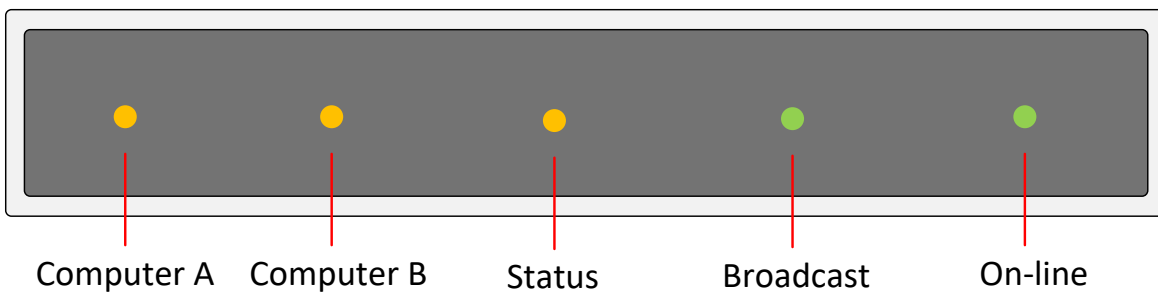
## DV-818U Teacher box

2 x HD-IN, 2 x HD-OUT, 8 x RJ45-Out, 1 x USB PC Control



## DV-202S 2-User Student box

2 x HD-IN, 2 x HD-Out, 1 x RJ45-In, 2 x RJ45-Out



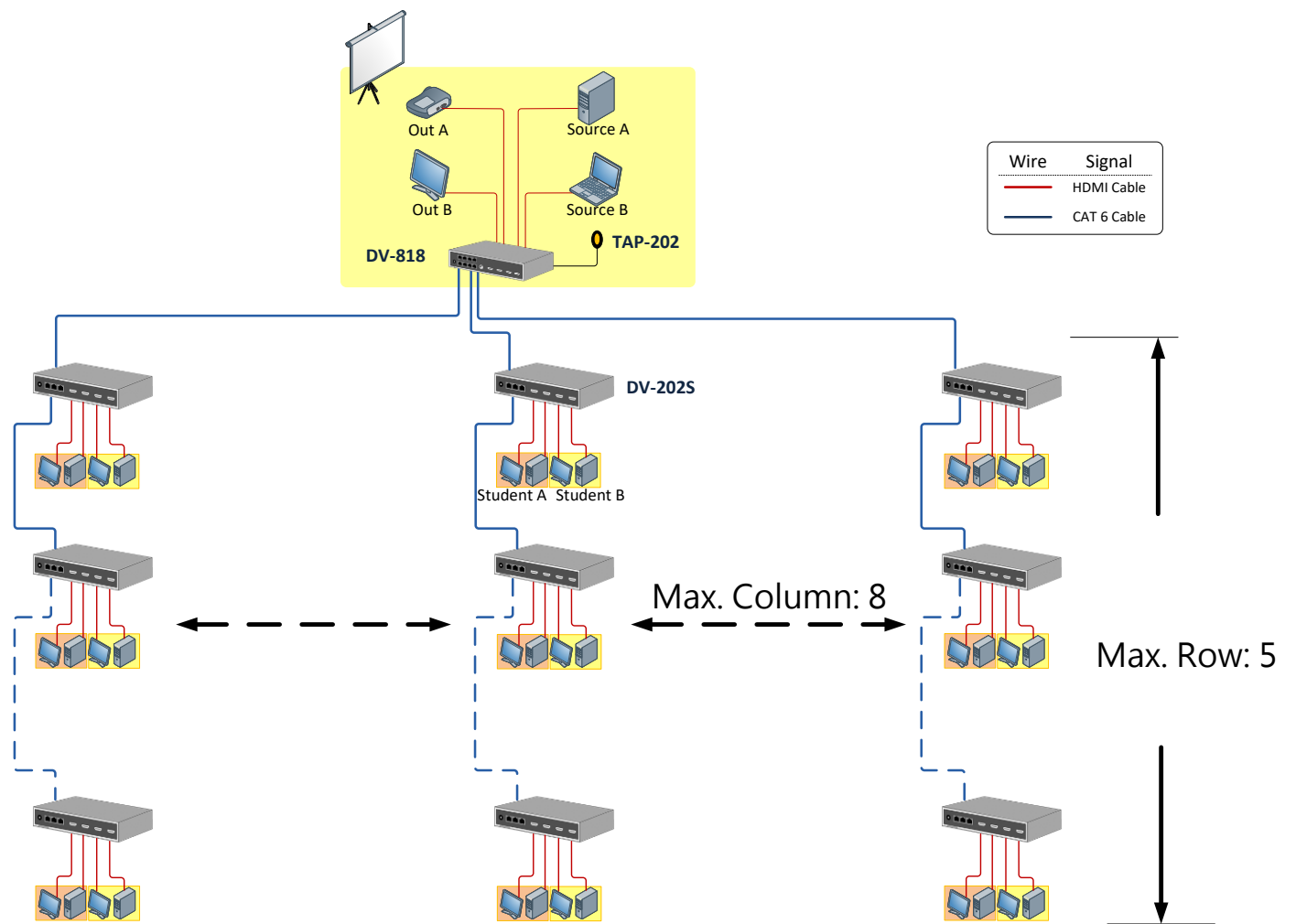
## TAP-202 One-Touch Button



## Specification

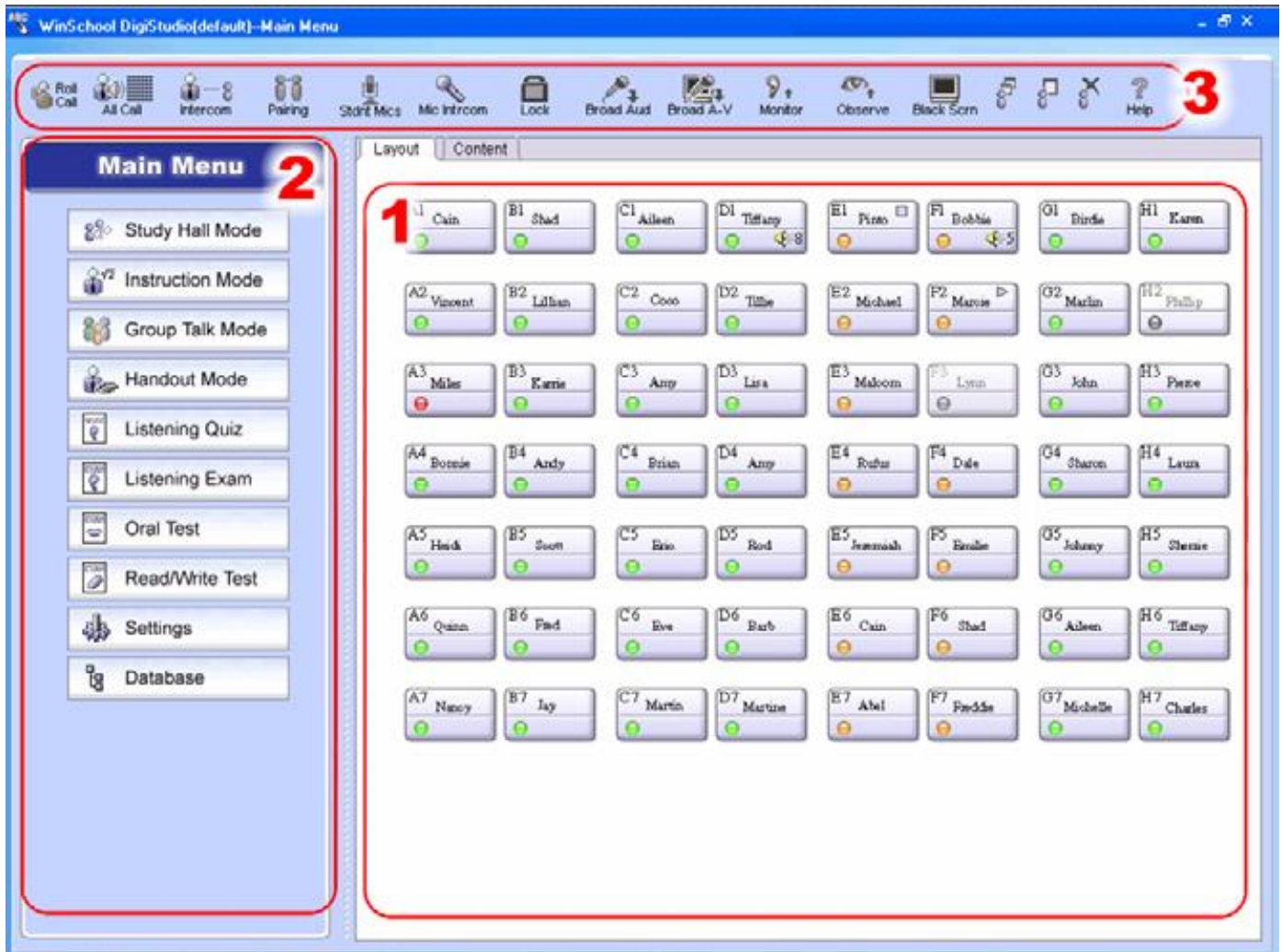
Model No.	DV-818U Teacher Box	DV-202S 2-User Student Box	TAP-202 One-Touch Button
HD Input	2	2	N/A
HD Output	2	2	N/A
RJ-45 Input	N/A	1	N/A
RJ-45 Output	8	2	N/A
Control	1 x PS2 6-pin Din Female + 1 USB-B	N/A	1 x PS2 6-pin Din Male
Power	DC 5V 4A		N/A
Max. Resolution	1080p or PC 1920 x 1200 @ 60Hz		N/A
Operation Temperature	0~50°C		
Storage Temperature	-20~ 85°C		
Humidity	0~80% Non-condensing		
Chassis	Metal (Black)		
Dimension	240x130x44 mm	192x80x21 mm	2 meters

# Connection Diagram



## Software Control Option

The DigiStudio Language Lab Program can be installed on the Teacher PC for the software control.



## Order Information

DV-818U	Teacher Box with USB control port
DV-202S	2-User Student box
TAP-202	Teacher One-Touch Tap Switch
Optional DigiStudio	Language Lab Teacher Control software for Windows
Optional DigiUser	Language Lab Student software for Windows