

# BE-9622H

## Dual Screen KVM Extender over One CAT6 cable

The BE-9622H is a Dual screen with USB KVM Extender over one CAT6 cable in distance of 120 meters.

The system includes BE-9622HT Transmitter (TX) and BE-9622HR Receiver (RX). The TX contains 2 HD and 2 USB ports for either 1 PC with dual HD, OR 2 PC with single display. The RX provides an USB console of keyboard/mouse + 2 HD outputs for dual screens. The connection between TX and RX requires only ONE CAT6 cable. Except this, the TX provides local console port to access TX PCs and to Lock/Unlock RX user.

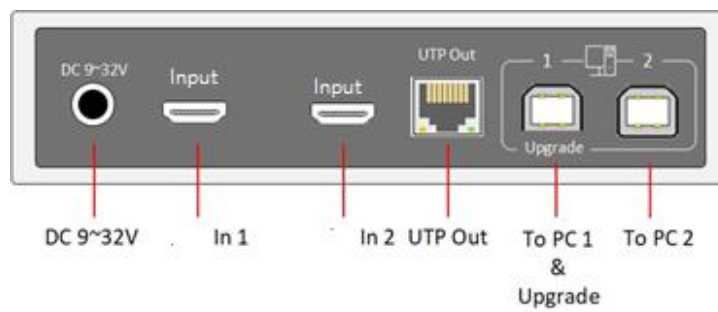
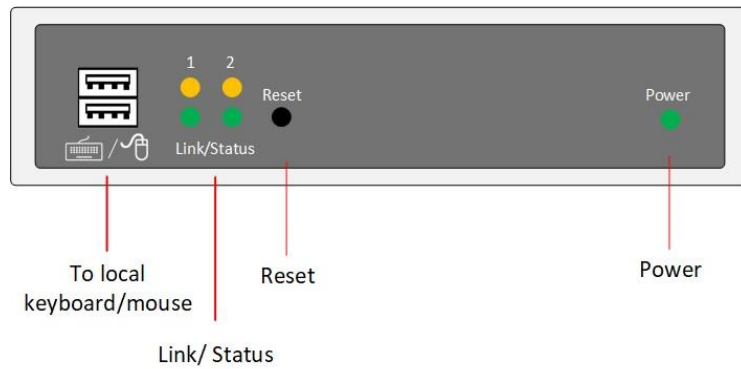


The product is based on Advanced Video Transport (AVT) Digital Communication technologies which TX/RX connection is Earth Ground Isolated.

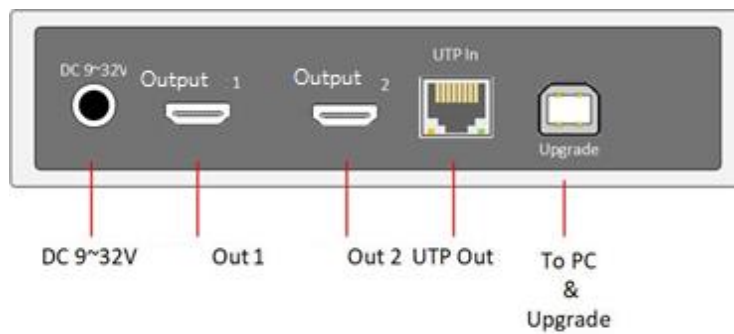
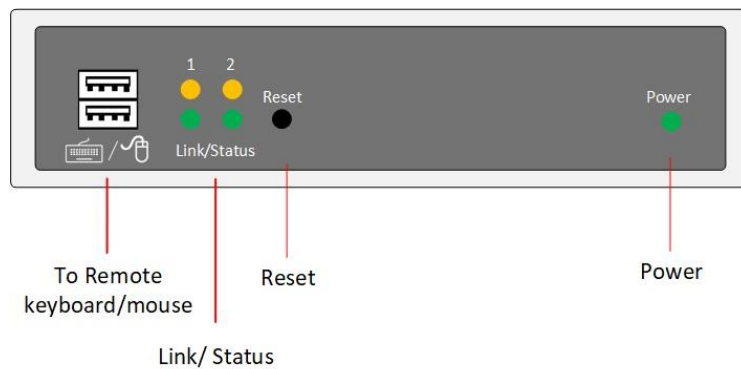
### Features

- ❖ Support dual 1080p + USB over ONE CAT 6 cable.
- ❖ Support USB Keyboard, Mouse, Touch.
- ❖ TX supports local Console for local PC access and Lock/Unlock RX user.
  - ❖ **TX Hot-key Operation**
  - ❖ <Scroll Lock><Scroll Lock>L<Enter> ---> To Lock/Unlock RX user
  - ❖ <Scroll Lock><Scroll Lock>1 ---> To select PC1
  - ❖ <Scroll Lock><Scroll Lock>2 ---> To select PC2
  - ❖ **RX Hot-key Operation**
  - ❖ <Scroll Lock><Scroll Lock>1 ---> To select PC1
  - ❖ <Scroll Lock><Scroll Lock>2 ---> To select PC2
- ❖ Pure hardware design, plug-and-play, no any additional software required.
- ❖ FCC, CE, RoHS compliant.

### BE-9622HT



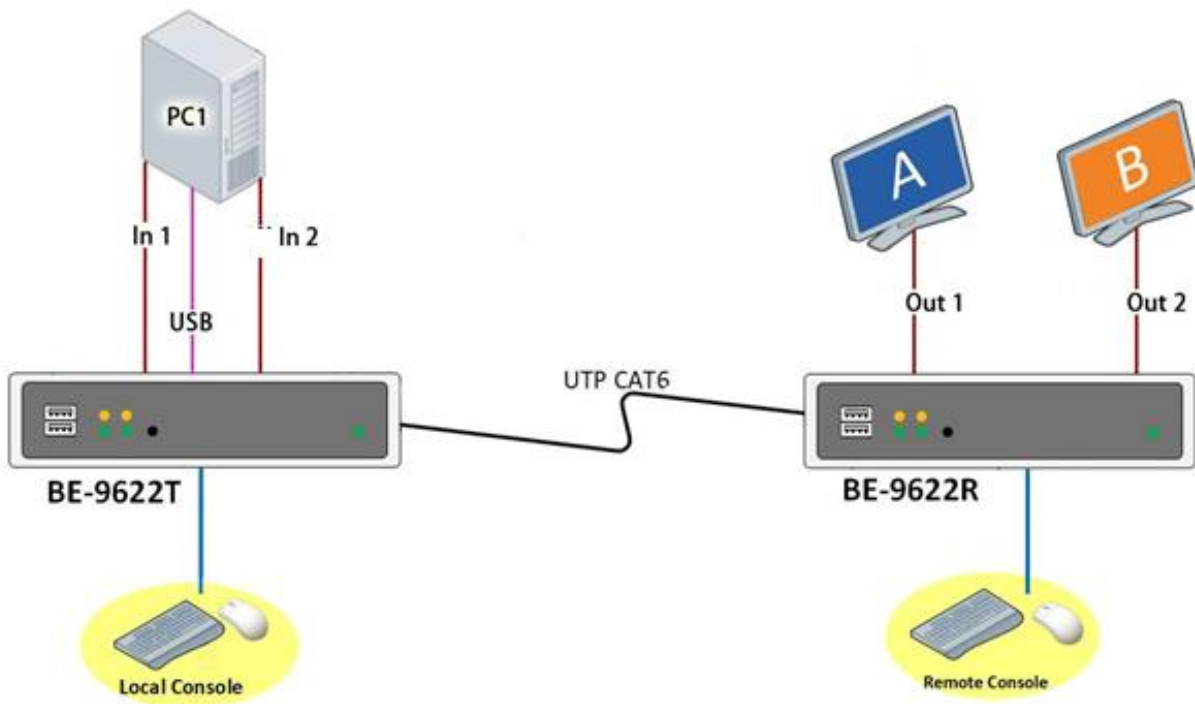
### BE-9622HR



# Specification

Model No.		BE-9622HT	BE-9622HR
		Transmitter	Receiver
Connectors	HD input	2	N/A
	HD output	N/A	2
	Power	DC 9~32V 1A	
	Network Port	1 x RJ45	
	USB Upstream	1 x USB-B (To PC & for Upgrade) 1 x USB-B (To PC)	1 x USB-B (for Upgrade)
	USB to Devices	2	2
Mounting Holes		Yes	
Resolution		1080p	
Inter-connect Cable		ONE CAT 6 cable, 2 pairs for HD, 1 pair for USB (all with isolated Transformer coupling)	
Environment	Operation Temperature	0~50°C	
	Storage Temperature	-20~ 85°C	
	Humidity	0~80% Non-condensing	
Physical Properties	Material	Metal (Black)	
	Weight	453 g	458 g
	Dimension	150x110x28mm	150x110x28 mm

## Connection Diagram for 1 PC with dual screens



## Connection Diagram for 2 PC with single screen

